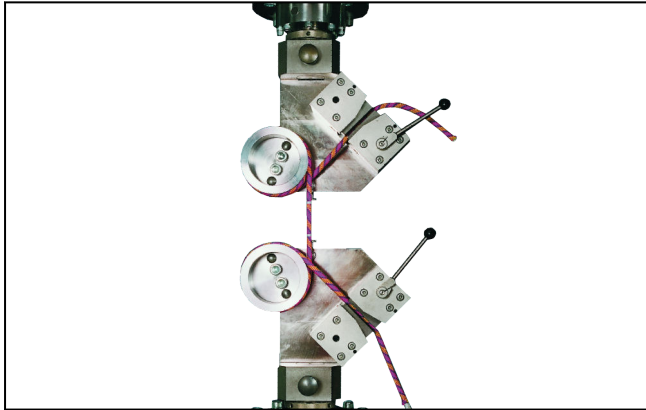


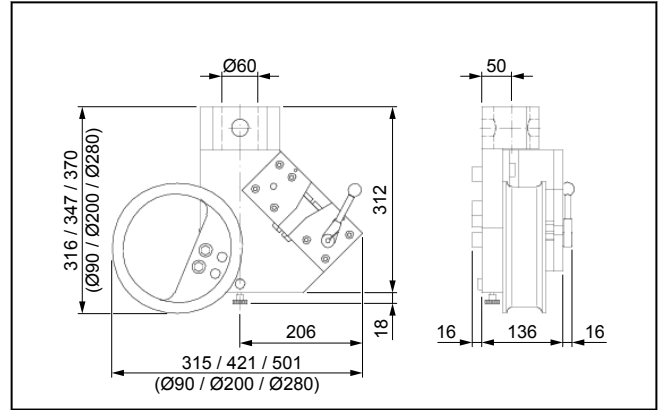
Product Information

Grips for ropes Type 8570, Fmax 100 kN

CTA: 40608 40646



Type 8570 grips for ropes, Fmax 100 kN



Type 8570 grips for ropes, Fmax 100 kN, general view

Applications

- Specimen material:
metals
- Specimen shape:
rope
- Type of loading:
tensile

Function description

The rope grips can be used for testing dimensionally unstable tensile specimens.

The specimen is passed around the load reduction roller one or more times. The resulting frictional force reduces the tensile stress before the wedge clamp at the end of the rope sufficiently to avoid jaw breaks.

These rope grips feature modular design to enable optimum adaptation to accommodate the specimen material. They consist of jaws and load-reduction rollers:

- large-diameter roller for rigid ropes (wire, wire ropes)
- small-diameter roller for flexible ropes (natural fiber, man-made ropes).

The specimen is automatically centered on insertion by the predetermined groove in the load reduction roller.

Advantages and features

- Looping the specimen around the load reduction roller ensures gentle clamping without jaw breaks.
- Fast, easy insertion and centering of the specimen is made possible by a guide groove in the load reduction roller.
- Interchangeable load reduction rollers enable optimum adaptation of the specimen grips to accommodate different specimen materials.
- If the application changes the jaws can be changed over quickly and easily - no tools required. The jaws are centered automatically.

Product Information

Grips for ropes Type 8570, F_{max} 100 kN

Technical data

Item No.	319579 ¹⁾	
Type	8570	
Test load F _{max}	100	kN
Dimensions		
Height	312	mm
with optional load reduction roller, Ø90 mm	315	mm
with optional load reduction roller, Ø200 mm	421	mm
with optional load reduction roller, Ø280 mm	501	mm
Width	315	mm
with optional load reduction roller, Ø90 mm	316	mm
with optional load reduction roller, Ø200 mm	347	mm
with optional load reduction roller, Ø280 mm	370	mm
Depth	168	mm
Connection, pin	Ø 60	mm
Weight per grip unit, approx.	35	kg
Ambient temperature	-40 to +250 ²⁾	°C
Scope of delivery	2	pieces

1) Only in connection with load cell Xforce K

2) The ambient temperature may be limited due to grip inserts with a lower ambient temperature.

Accessories required

Jaws (1x required)

Scope of delivery: 1 set (= 4 pieces)

Version	Gripping area (H x W) [mm]	Specimen diameter [mm]	Hardness	Item No.
Flat jaws, steel, fsc ¹⁾ 0.75 mm	80 x 60	< 5	61 HRC	319585
Prism jaws, steel, st ²⁾ 1.5 mm	80 mm high	5 to 12	61 HRC	319583
Prism jaws, steel, st ²⁾ 1.5 mm	80 mm high	12 to 30	61 HRC	319584

1) Fsc = fish scale

2) St= saw tooth

Product Information

Grips for ropes Type 8570, Fmax 100 kN

Load-reduction rollers (1 x required)

Scope of delivery. 2 pieces

Range of application	Loop diameter [mm]	Outside diameter [mm]	Depth [mm]	Weight, approx. [kg]	Item No.
Flexible plastic ropes	90	110	72	1	319580
Rigid plastic ropes, flexible wire ropes	200	220	72	2	319581
Rigid wire ropes	280	300	72	3	319582